

Model AC20488

Model AC20488

Length: 60" (1524mm)

Width: 30" (762mm)

Height: 20" (508mm)

Shipping Weight: 100 lbs. (45 Kg)

Water to Overflow: 60 gallons (273 Litres)

Materials: Manufactured from a one-piece acrylic sheet, reinforced with fibreglass.

The acrylic bath tub features classic minimalist design, clean lines and brilliant colours. The inclined backrest makes the 60" bath very comfortable.

Standard Features:

- ° Easy to clean high gloss surface
- ° Chip and mar resistant
- ° Moulded-in floor pattern
- ° Single Flange

Colours:

- ° Standard: White, Almond (Bone) or Biscuit.
- ° Optional: Kohler Colours

Other Configurations:

All products manufactured by Hytec are covered by a comprehensive five-year limited warranty from the date of sale to the original owner. See the Hytec Bathing Fixtures List Price Book for further details.

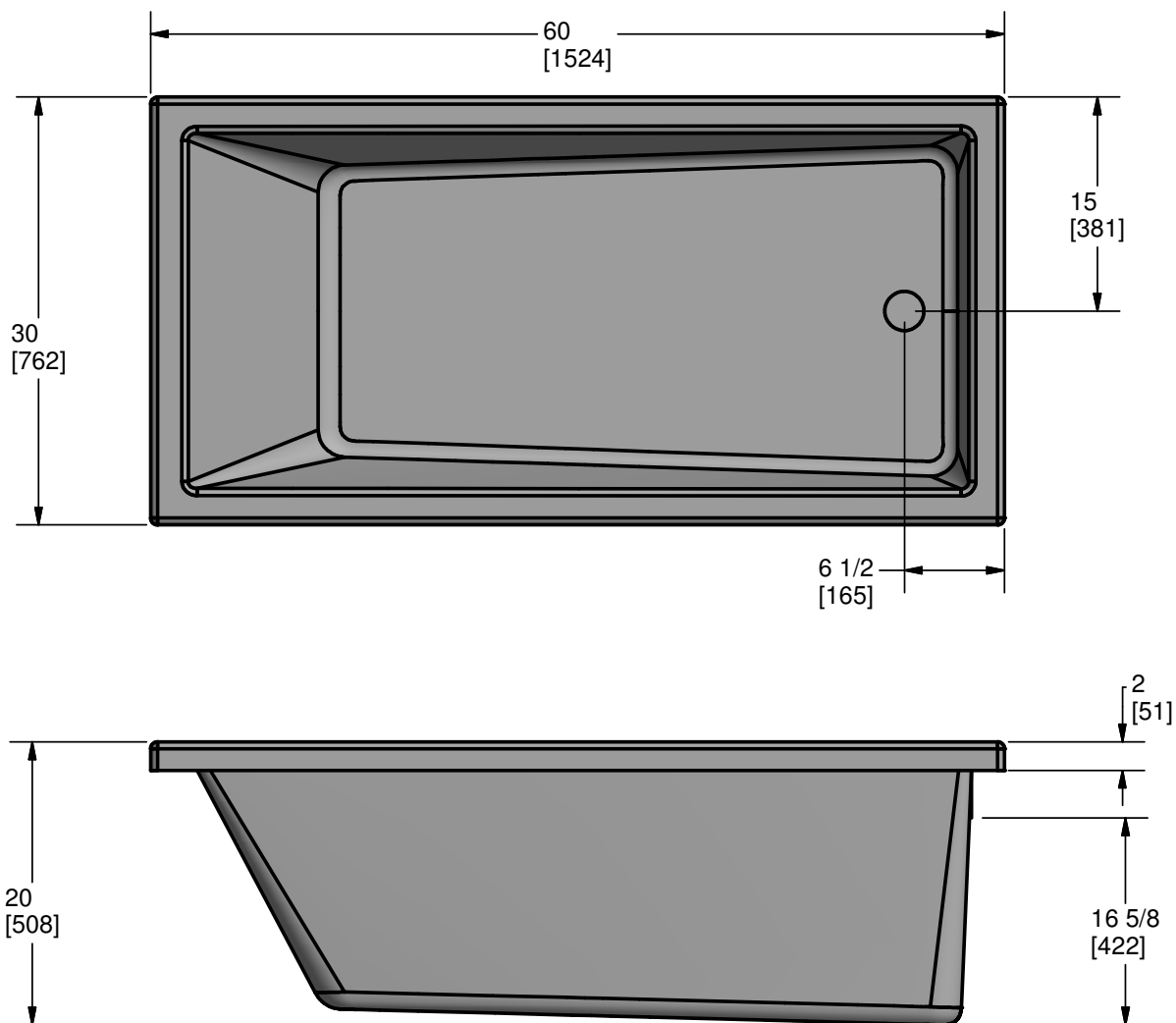
Hytec Plumbing Products

(Division of Kohler Canada Co.)
4150 Spallumcheen Dr, Armstrong BC V0E 1B6
Ph. (800) 871-8311 (250) 546-3196 Fax (250) 546-3170

TAHSIS™ DROP-IN BATHS

Model Customer Spec AC20488

ACRYLIC



Measurement tolerances $\pm 1/4"$ (6.3mm)

All bathing fixtures comply with the applicable Canadian Standards.

EPA TSCA Title VI Compliant Product.

For installation instructions, please refer to HYTEC.CA

This sheet approximately describes products and equipment manufactured or supplied by Hytec Plumbing Products. Because of ongoing efforts to improve both design and quality, products and equipment actually furnished may differ without prior notice.

Hytec Plumbing Products

(Division of Kohler Canada Co.)
 4150 Spallumcheen Dr, Armstrong BC V0E 1B6
 Ph. (800) 871-8311 (250) 546-3196 Fax (250)
 546-3170

HYTEC
 A KOHLER COMPANY